



ACT GREEN

www.pcepower.com

HVR Series

Industrial Equipment

3 Phase Servo Motor
Voltage Regulator

3 phase servo motor voltage regulator
suitable for industrial equipments such as
multi-color printing machines, air compressors,
CNC machines, punching machines,
laser cutting machines and welding machines



YOUR ULTIMATE
POWER PROTECTION PARTNER

PCE[®]
POWER SYSTEMS

Features

Three phase compensation servo motor technology
 Wide input voltage range:276-450V(260-430V optional)
 Major Range: 15KVA-100KVA
 Rated output voltage: 380V (400/415V optional)
 +/-3% output precision (+/-1% optional)
 100% unbalanced loading capability

Isolated manual bypass switch
 6s/180s output delay
 Full protections provide 100% stabilization & security for workshop
 Industrial strength components with extremely long time lifespan
 Surge/spike protection, RS232/RS485 & MCCB function (optional)
 Digital display for voltage and current

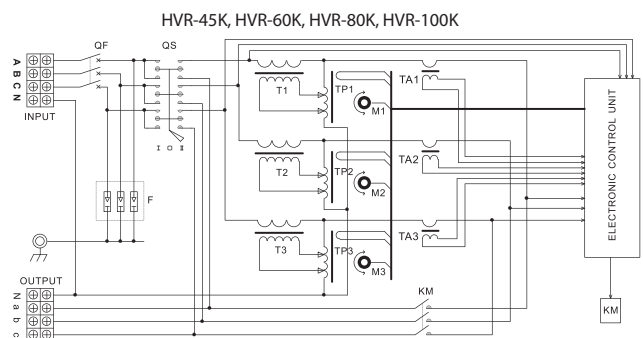
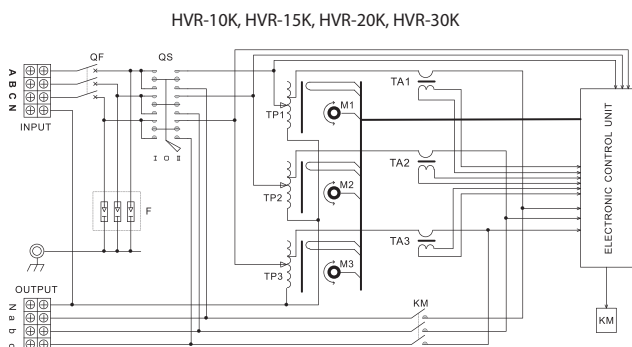


Air Compressor



Multi-color Printing Machine

Schematic of Voltage Regulator



QF: AIR BREAKER
QS: MANUAL BYPASS SWITCH
F: SURGE PROTECTION DEVICE
KM: CONTACTOR
T1,T2,T3: SERIES TRANSFORMER
TP1, TP2, TP3: VARIABLE AUTOTRANSFORMER
M1, M2, M3: SERVO MOTOR
TA1,TA2,TA3: CURRENT TRANSFORMER

Product Display



Front Plate



Back Plate



Side Plate



Operation Panel



Inside 10kVA-30kVA



Inside 45kVA-100kVA

Technical Specifications

HVR Series

Model		HVR 10K	HVR 15K	HVR 20K	HVR 30K	HVR 45K	HVR 60K	HVR 80K	HVR 100K
		10kVA	15kVA	20kVA	30kVA	45kVA	60kVA	80kVA	100kVA
		6kW	9kW	12kW	18kW	36kW	48kW	64kW	80kW
Input	Rated Input Voltage	380V (400V/415V Optional)							
	Input Voltage Range	276-450V							
	Input Frequency	45-65Hz							
	Power Factor	0.98							
Output	Rated Output Voltage	380V (400V/415V Optional)							
	Output Precision	±3% (±1% Optional)							
	Response Time	<1s, against 10% variation of input voltage							
	Efficiency	>96%							
Protection	Output Under Voltage	Output cutoff by contactor + "L" in display + Buzzer beeping							
	Output Over Voltage	Output cutoff by contactor + "H" in display + Buzzer beeping							
	Overload	Output cutoff by contactor + "F" in display + Buzzer beeping							
	Overheat	Output cutoff by contactor + "C" in display + Buzzer beeping							
	Phase Failure	Output cutoff by contactor + Buzzer beeping							
	Wrong Phase Sequence	Can't switch on regulator							
	Short Circuit	Input cutoff by air breaker							
	Bypass	Isolated Manual Bypass Switch (Automatic Bypass Optional)							
	Output Delay Time	6s/180s Selectable							
	Surge Spike	Optional, Replaceable SPD							
	RS232/RS485	Optional							
Digital Display	Input Voltage	Line Voltage: AB, BC, CA Phase Voltage: A, B, C							
	Output Voltage	Line Voltage: AB, BC, CA Phase Voltage: A, B, C							
	Output Current	Phase Current: A, B, C							
Safety	Insulation Voltage	2,000V / 60s							
	Insulation Resistance	>5MΩ							
	Creepage Distance	>8mm							
	Grounding Resistance	<0.1MΩ							
	Insulation Class of Coil	Class F (155°C)							
	Cooling Mode	Cooling Fan							
	IP Level	IP20							
	Audible Noise	<65dB at 1m distance with full load							
Operating Conditions	Operating Temperature	-5°C - +45°C							
	Operating Humidity	10%-90%, non-condensing							
	Operating Altitude	<1,000m							
Physical	Machine Size	D520 x W460 x H830 mm				D600 x W520 x H1080 mm		D600 x W570 x H1080 mm	
	N.W.	70kgs	78kgs	100kgs	108kgs	175kgs	190kgs	210kgs	235kgs
	Packing Size	D530 x W470 x H850 mm				D610 x W530 x H1200 mm		D610 x W580 x H1200 mm	
	G.W.	80kgs	88kgs	110kgs	118kgs	190kgs	205kgs	228kgs	253kgs

NORTH & SOUTH AMERICA

PCE UPS SYSTEMS Inc.
4805 Colombo Cres.
Mississauga, Ontario
Canada

EUROPE

PCE – Pronergy SA
5 Rue Ampere
91380, Chilly Mazarin
France

MIDDLE EAST & AFRICA

PCE POWER FZE
Teknopark, Jebel Ali Free Zone
P.O.Box 263295, Dubai